

DMInteract[®]

From Visualization to Collaboration

DM-90s+ fusion splicer

Intelligent fully automatic



4.3 inch

SPI touch screen

8 s

Efficient fusion
welding

18 s

Rapid heating

6 motors

Accurate positioning

3

Three-in-one clamp

5200 mAh

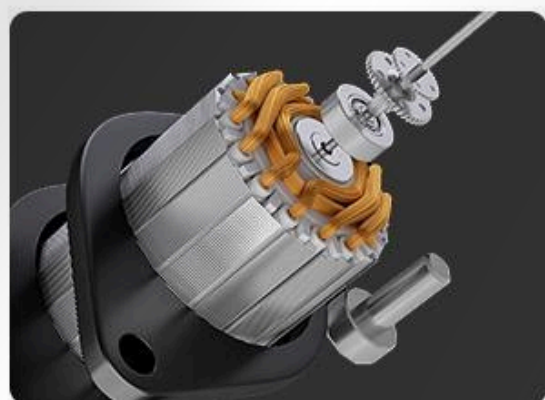
High battery life

300 X

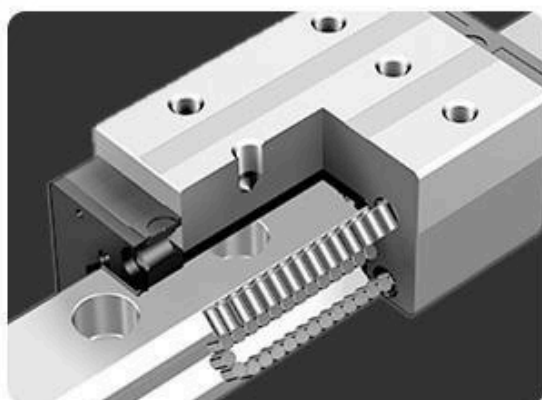
Magnification

6 Motor drive

Equipped with six motors and precise micro-step guides, it has less positioning and dissolution loss than 4 motors. Faster dissolution time and higher work efficiency



Copper core motor



Microstep guide

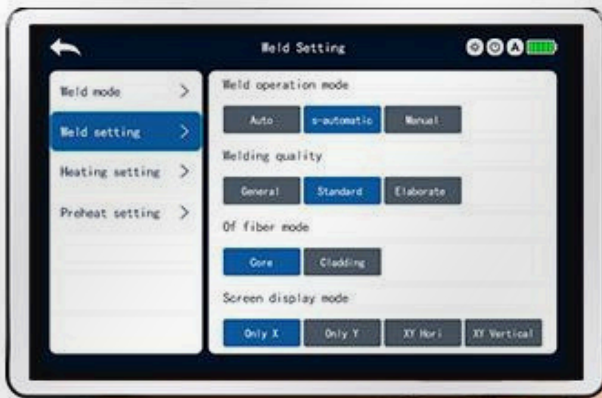
180° flippable Screen

High resolution LCD+180° flippable touch screen
GUI operation interface design, convenient and easy to operate



Intelligent GUI interface

The screen is concise and clear, and the operation is smooth
Intelligent detection and prompt of welding faults



Welding data can be exported and can save 10000 welding data and 1000 images

Built in VFL+OPM

Built-in red light source and optical power, supports six wavelengths, self-calibration of optical power
Large capacity storage, can save up to tens of thousands of data



Red light source

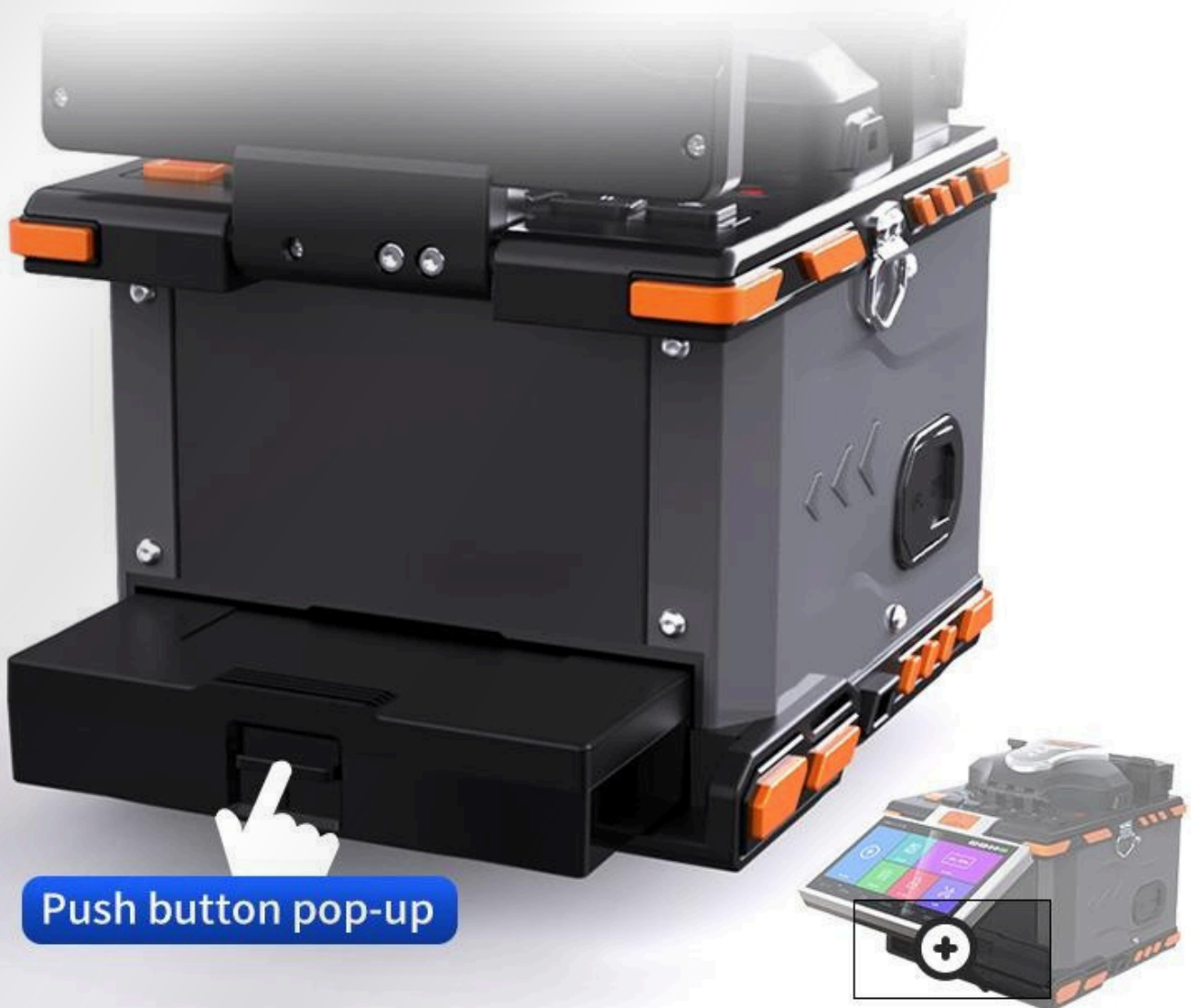
Optical power

DMInteract[®]
From Visualization to Collaboration

Can complete 200 fusion and heating cycles

5200mAh high battery life

Pop up battery compartment for single battery charging
Supports automatic shutdown and power-saving modes



Product Parameters



Electrode life 3000times

battery capacity 5200mAh(200 times)

The output voltage DC11.1V

Charging input AC100-240V、 50/60Hz

Welding machine size 156*155*152mm

Weight (bare metal) 1.74KG(including battery)

Working environment Temperature (°C): -15+50 Humidity: ≤ 95% RH (without condensation)
Wind speed: ≤ m/s

Storage conditions Temperature (°C): -40+80 Humidity: 0~95% Battery temperature:
-20 °C~+30 °C

Illumination Automatic, manual

Charging time ≤3.5 hours

USB port output 5V/500mA

Charging output DC13.5V/4A

Toolbox size 342*280*187mm

Weight 4.7KG

Product configuration



Host



Toolbox



Cutting knife



Shoulder strap
hand strap



Special fiber for
dissolving correction



Three mouth Miller pliers



Power adapter



Brush



Alcohol bottle



Carton

DMInteract[®]

From Visualization to Collaboration



Main characteristics

- Six motors, fully automatic
- 8 seconds for welding, 18 seconds for heating
- Support password setting, rental function
- Integrated OPM+VFL in one
- 4.3-inch flip high-definition screen, GUI graphical interface
- 300x magnification of fiber core, 5200mAh capacity battery

Product parameters

Alignment mode: Fiber core and cladding	VFL : $\geq 10\text{MW}$
Focusing mode: Six motors auto focus	Operating interface: GUI graphical user operation interface
Welding mode: Automatic/manual	Electrode life: 3000 times
Welding time: 8s(typical SMF value)	Lighting mode: Automatic/manual
Tension test: 1.96-2.25N	Heating time: 0-60S
Image display: Capacitive 4.3" touch LCD screen	Charging time: $\leq 3.5\text{h}$
magnification: 300(X/Y), 150(X/Y synchronization)	Output voltage: DC 11.1V
Welding record: 10000 groups (1000 pictures)	USB port output: 5V/500mA
Typical heating time: 18S	Fiber diameter: Cladding: 80-150um, coating layer: 0.1-3mm

Applicable optical fiber: SMF(G.652)、MMF(G.651)、DSF(G.653)、NZDSF(G.655)

Connection loss: 0.02dB(SMF), 0.01dB(MMF), 0.04dB(DSF/NZDSF)are measured by ITU-Ishearmethod

Heat shrink tube sleeve: 20mm、30mm、40mm、50mm、60mm

Local OPM: Range (dBm) : -70~+6; Wavelength :850nm~1625nm; Uncertainty : $\pm 5\%$

Battery capacity: 5200mAh (Typical value of 200 welding and heating cycles)

Charger: Input: AC 100~240V, 50/60Hz, output: DC13.5V/4A

Working environment: Temperature:-15°C~+50°C; Humidit: $\leq 95\%$ RH(no condensation); Altitude: 0~5000m

Storage condition: Temperature: -40°C~+80°C; Humidity: 0~95%

Size of welding machine: 156mm*155mm*152mm

Weight of welding machine: 1.74KG



SPECIAL OFFER

ORDER NOW



www.dminteract.com



www.dubaimachines.com



DEALER ADDRESS:

Showroom G-02, IT Plaza, Dubai Silicon Oasis, Dubai, United Arab Emirates



CANADA OFFICE:

DMInteract Inc 801 Dundas Street East, Unit #D6, Mississauga, Ontario, L4Y 4G9



CONTACT NUMBER:

+971-4-3360300 - (Dubai Office)
437-880-7712 - (Mississauga Office)



EMAIL ADDRESS:

info@dminteract.com